

GBM-161

10G XFP-LR Transceiver Module

Features

RoHS **CE** **FC** 

- Support 9.95 Gb/s to 11.3Gb/s multi-rates
- Hot-pluggable XFP footprint
- Link length for 10km or 40km over SM fiber
- Uncooled 1310nm DFB Laser or Cooled 1550nm EML Laser
- Duplex LC connector
- No Reference Clock required
- Single power supply voltages : +3.3V
- Built-in digital diagnostic function
- Single power supply 3.3V
- Very low EMI and excellent ESD protection
- RoHS compliant



GBM-162

10G SFP+ ER Transceiver Module

Features

RoHS **CE** **FC** 

- Compliant with IEEE802.3ae 10GBase-ER Ethernet Standard
- Compliant with SFF8472 diagnostic monitoring interface
- Compliant with SFP+ MSA Hot Pluggable
- 1550nm EML or 1310nm DFB laser transmitter
- Duplex LC connector
- 2-wire interface for management and diagnostic monitor
- Single +3.3V power supply voltages
- Transmission distance of 300m, 10km or 40km over single mode fiber
- RoHS Compliant Part



Specifications

Model Name	Distance	Data Rate	Wavelength	TX Power	RX Sens	Voltage	Digital Diag.	Connector Type	Operating Temp
GBM-161	300m	10G	850nm	-6.5dBm ~ -1dBm	-11.1dBm (Max)	3.3V	yes	Duplex LC	0°C~70°C / 32°F~158°F
GBM-161-10	10km	10G	1310nm	-6dBm ~ +0.5dBm	-12.6dBm (Max)	3.3V	yes	Duplex LC	0°C~70°C / 32°F~158°F
GBM-161-40	40km	10G	1550nm	-1dBm ~ +3dBm	-16dBm (Max)	3.3V	yes	Duplex LC	0°C~70°C / 32°F~158°F
GBM-161-80	80km	10G	1550nm	0dBm ~ +4dBm	-24dBm (Max)	3.3V	yes	Duplex LC	0°C~70°C / 32°F~158°F
GBM-162	300m	10G	850nm	-4.3dBm ~ -2.8dBm	-11.1dBm (Max)	3.3V	yes	Duplex LC	0°C~70°C / 32°F~158°F
GBM-162-10	10km	10G	1310nm	-8dBm ~ +0.5dBm	-14.4dBm (Max)	3.3V	yes	Duplex LC	0°C~70°C / 32°F~158°F
GBM-162-40	40km	10G	1550nm	-3dBm ~ +3dBm	-15.8dBm (Max)	3.3V	yes	Duplex LC	0°C~70°C / 32°F~158°F
GBM-162-80	80km	10G	1550nm	0dBm ~ +4dBm	-24dBm (Max)	3.3V	yes	Duplex LC	0°C~70°C / 32°F~158°F

Ordering Information

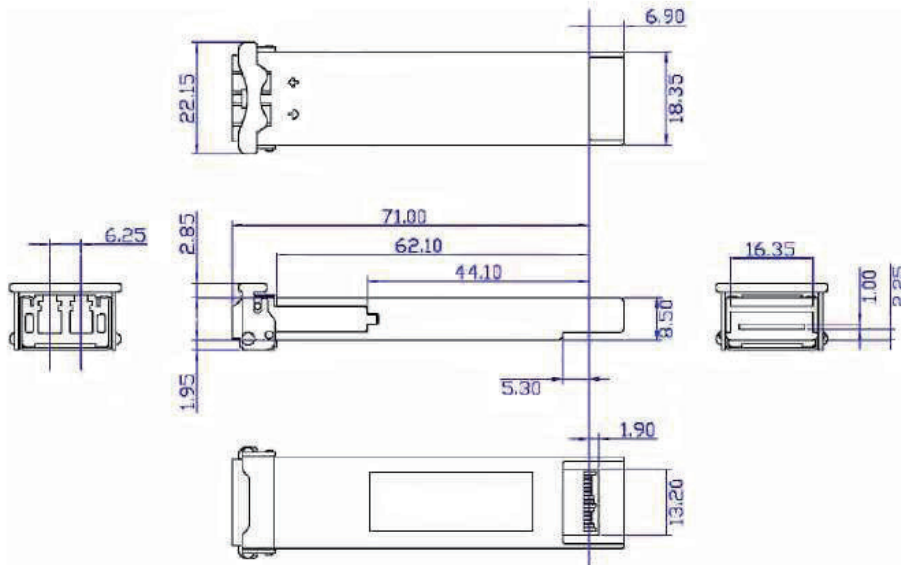
GBM-161	10GBase-SR, 10G, Multi-mode XFP, 300m with DDM function, 0°C~70°C / 32°F~158°F
GBM-161-10	10GBase-SR, 10G, Multi-mode XFP, 10km with DDM function, 0°C~70°C / 32°F~158°F
GBM-161-40	10GBase-SR, 10G, Multi-mode XFP, 40km with DDM function, 0°C~70°C / 32°F~158°F
GBM-161-80	10GBase-SR, 10G, Multi-mode XFP, 80km with DDM function, 0°C~70°C / 32°F~158°F
GBM-162	10GBase-SR, 10G, Multi-mode SFP+, 300m with DDM function, 0°C~70°C / 32°F~158°F
GBM-162-10	10GBase-SR, 10G, Multi-mode SFP+, 10km with DDM function, 0°C~70°C / 32°F~158°F
GBM-162-40	10GBase-SR, 10G, Multi-mode SFP+, 40km with DDM function, 0°C~70°C / 32°F~158°F
GBM-162-80	10GBase-SR, 10G, Multi-mode SFP+, 80km with DDM function, 0°C~70°C / 32°F~158°F

*Specifications subject to change without notice.

* The actual distances will depend on several factors, including the type of cable, quality of cables used and the terminal equipment employed

Dimension

GBM-161-10
GBM-161-40



GBM-162
GBM-162-10
GBM-162-40

